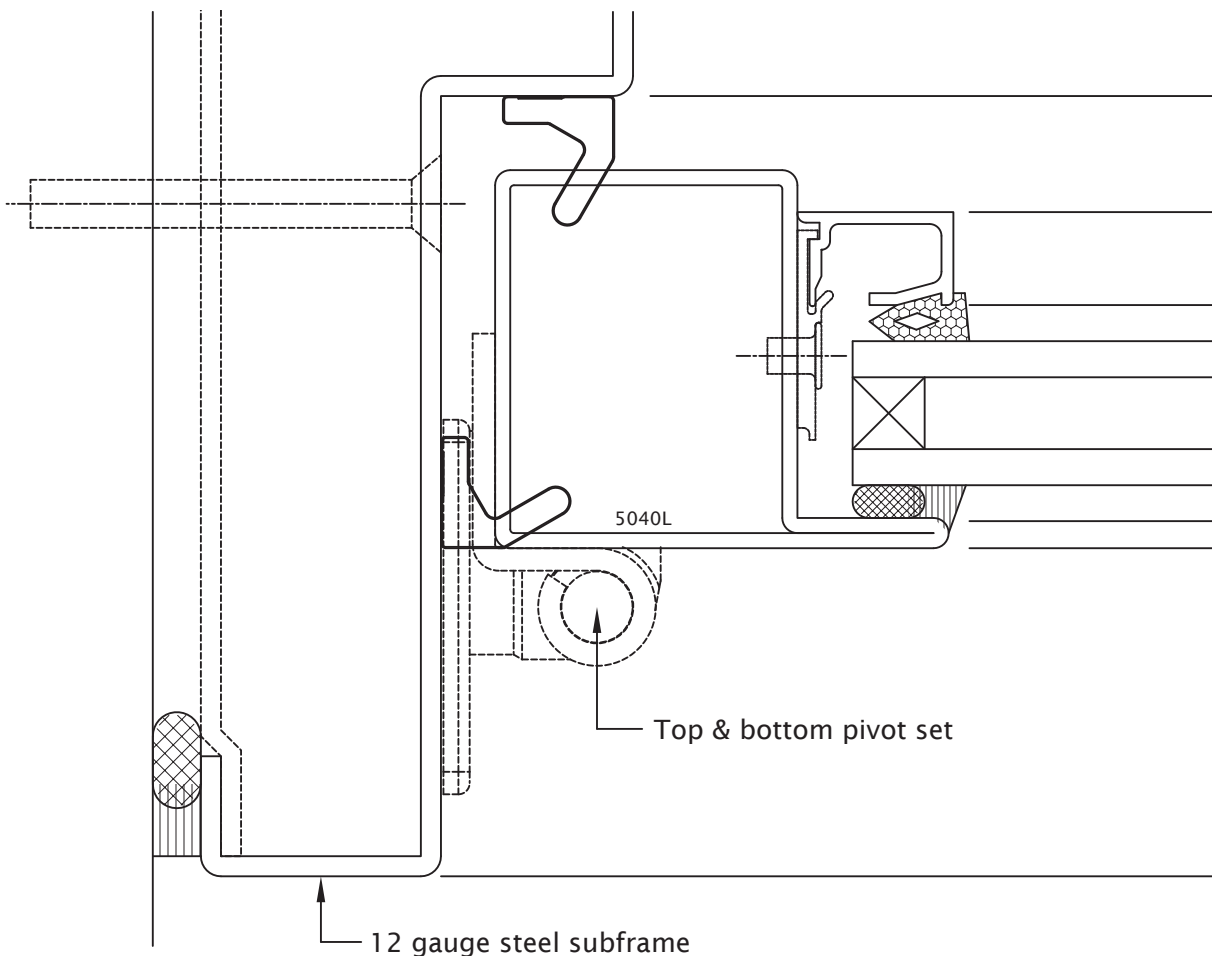


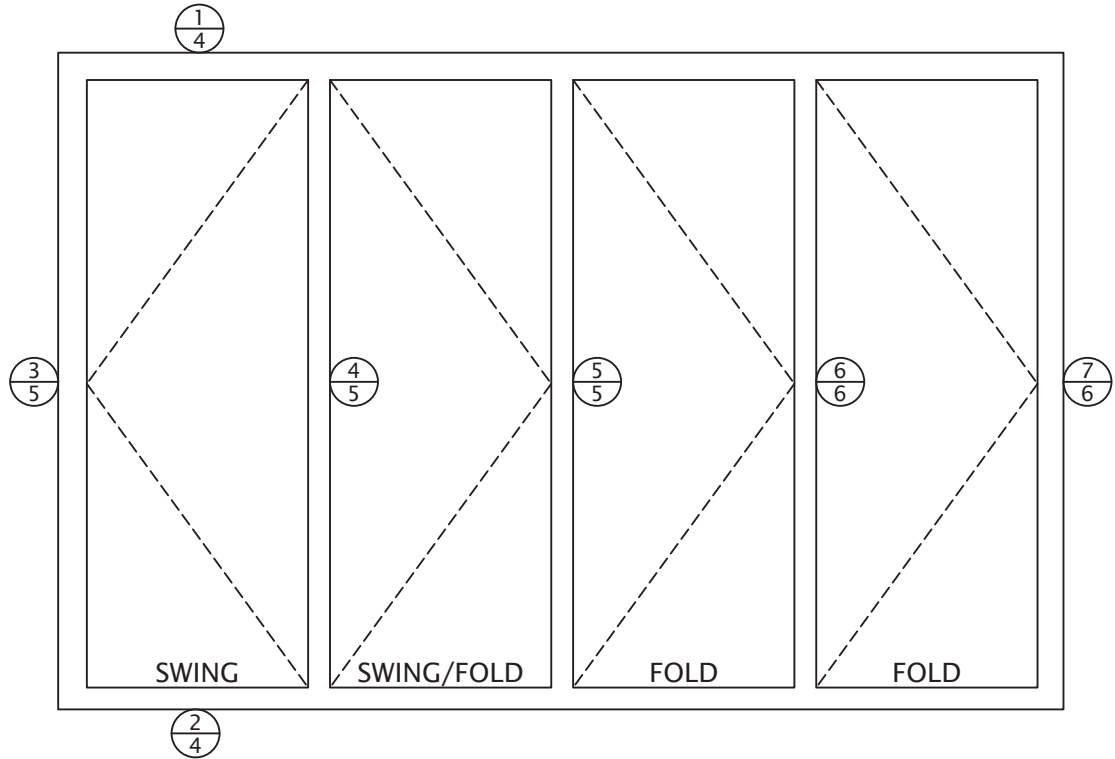
Hope's Hopkins Series impact-rated steel slide and fold door frames are custom formed from heavy 12 gauge steel for luxury residential or commercial projects in hurricane zones. All configurations include a single active swing leaf that can be used for passage in addition to the folding leaves that can be opened to achieve a maximum clear opening. Operable hardware include a 4-wheel overhead carriage and track system with corresponding 2-wheel sill guides for smooth operation and multi-point locking gears. Top and bottom bolts are applied to secure the folding leaves to the frame.

PRODUCT FEATURES

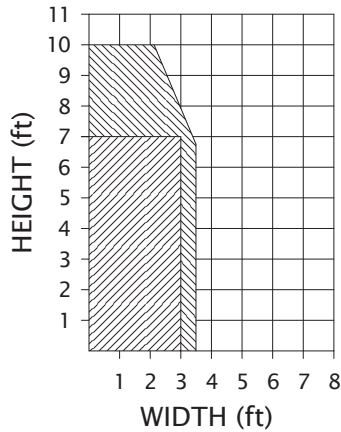
- Solidly face welded joints are ground smooth for uniform appearance, superior strength and water tightness
- Hope's traditional hot-rolled true muntins or muntin grids are optional
- Accepts up to 1-1/8" thick insulating glass
- Solid brass or bronze hardware
- Hope's Power of 5 Finishing System includes cleaning, pretreatment, epoxy e-coat primer, epoxy powder primer and ultrathane polyurethane top coat



Details are full scale.



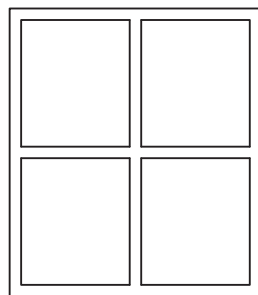
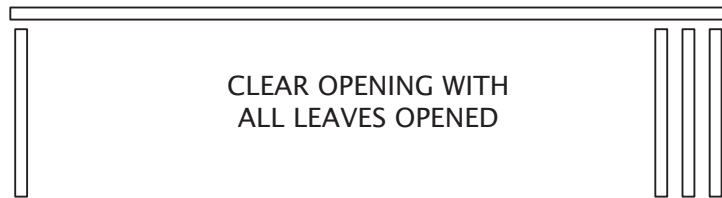
RECOMMENDED SIZES



- Weight limit per panel - 176 lbs
- Weight limit per panel - 265 lbs

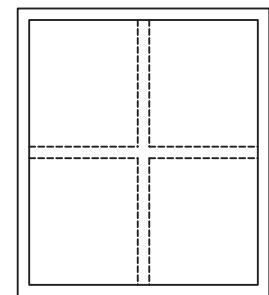
Sizes based on 1" insulating glass with 1/4" panes.

For requirements exceeding the sizes shown above up to 265 lbs., See page 4 for alternative details.



TRUE DIVIDED LITES (TDL)

MUNTINS
FOR TRUE AND SIMULATED DIVIDED LITES SEE "MUNTINS, MULLIONS, STACKS AND DEFLECTION CHANNELS" SECTION



SIMULATED DIVIDED LITES (SDL)
(MUNTIN GRIDS)

Elevations are for detail reference only. Elevations are not to scale.
All Hope's products are custom manufactured for your specific project requirements.

NOTE: SEE BELOW FOR
CONFIGURATIONS
OPPOSITE TO THOSE
SHOWN ON THE LEFT

SCHEME 3L
3 TOTAL LEAVES
2 FOLDING / 1 SWING
0 SWING



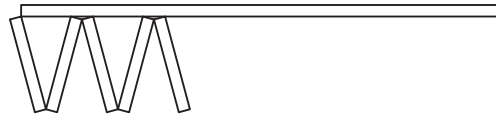
SCHEME 3R
3 TOTAL LEAVES
0 SWING
2 FOLDING / 1 SWING

SCHEME 3L1R
4 TOTAL LEAVES
2 FOLDING / 1 SWING
1 SWING



SCHEME 1L3R
4 TOTAL LEAVES
1 SWING
2 FOLDING / 1 SWING

SCHEME 5L
5 TOTAL LEAVES
4 FOLDING / 1 SWING
0 SWING



SCHEME 5R
5 TOTAL LEAVES
0 SWING
4 FOLDING / 1 SWING

SCHEME 3L3R
6 TOTAL LEAVES
2 FOLDING / 1 SWING
2 FOLDING / 1 SWING



SCHEME 5L1R
6 TOTAL LEAVES
4 FOLDING / 1 SWING
1 SWING



SCHEME 1L5R
6 TOTAL LEAVES
1 SWING
4 FOLDING / 1 SWING

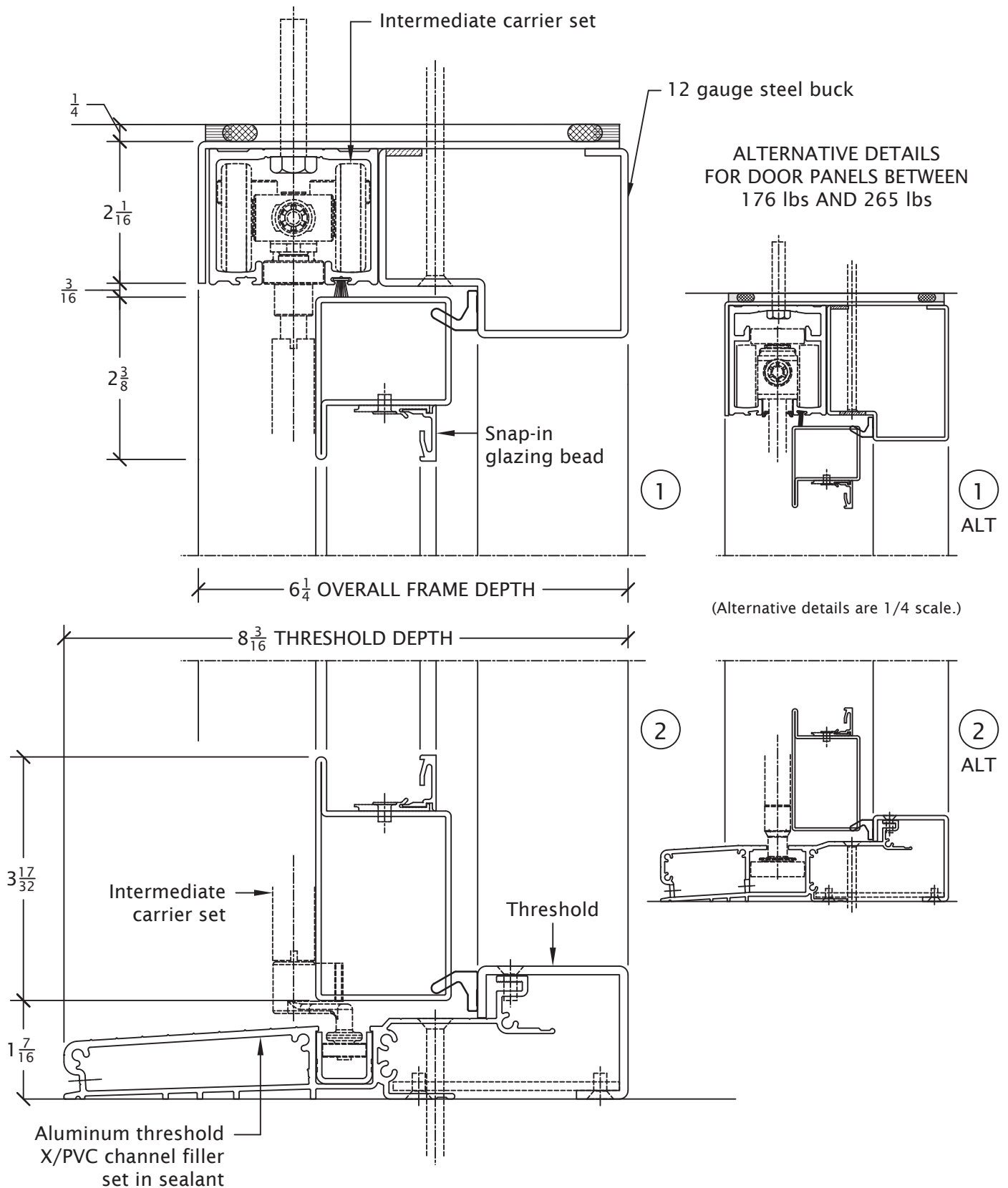
SCHEME 7L
7 TOTAL LEAVES
6 FOLDING / 1 SWING
0 SWING



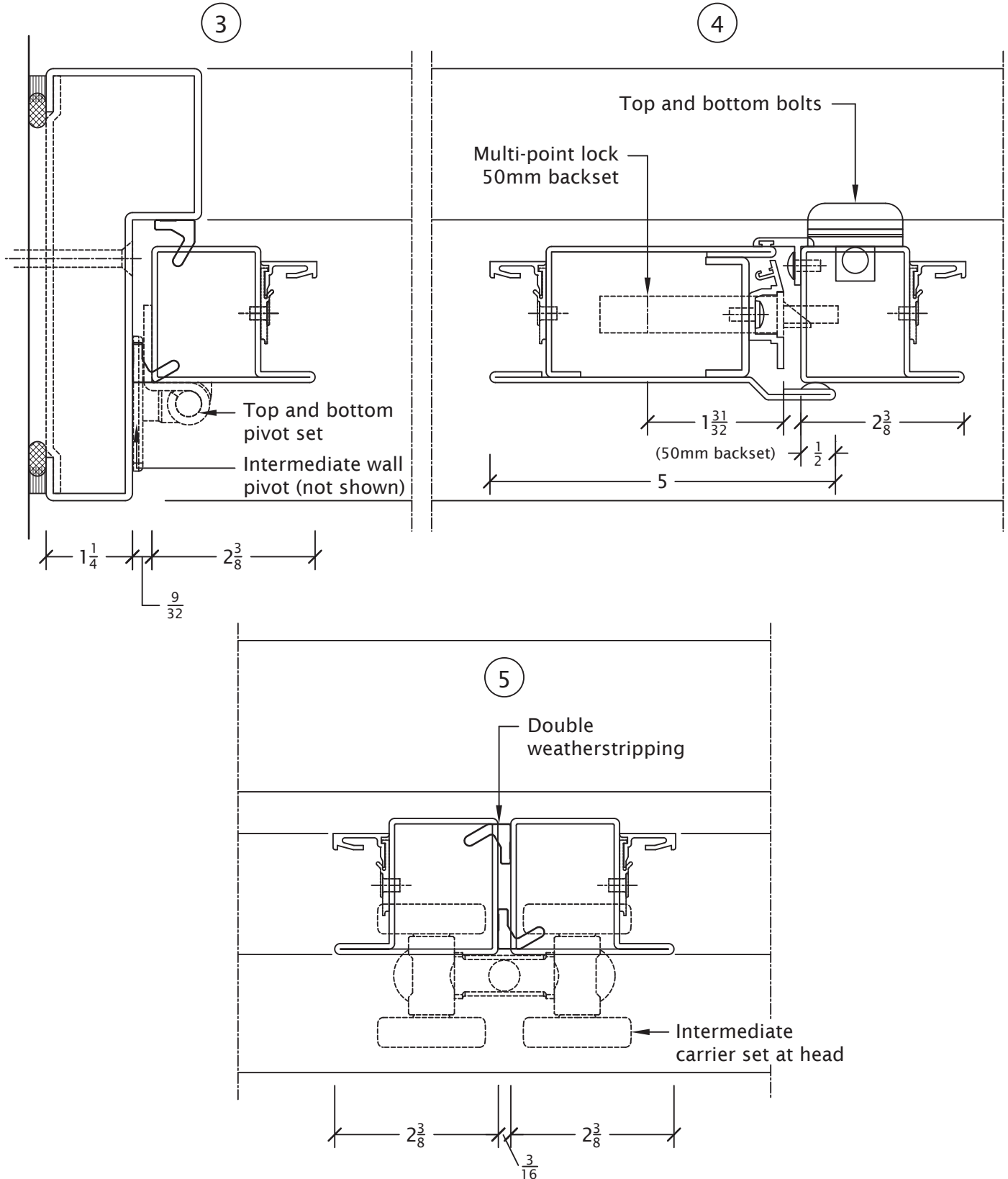
SCHEME 7R
7 TOTAL LEAVES
0 SWING
6 FOLDING / 1 SWING

Other configurations are available. Please consult Hope's.

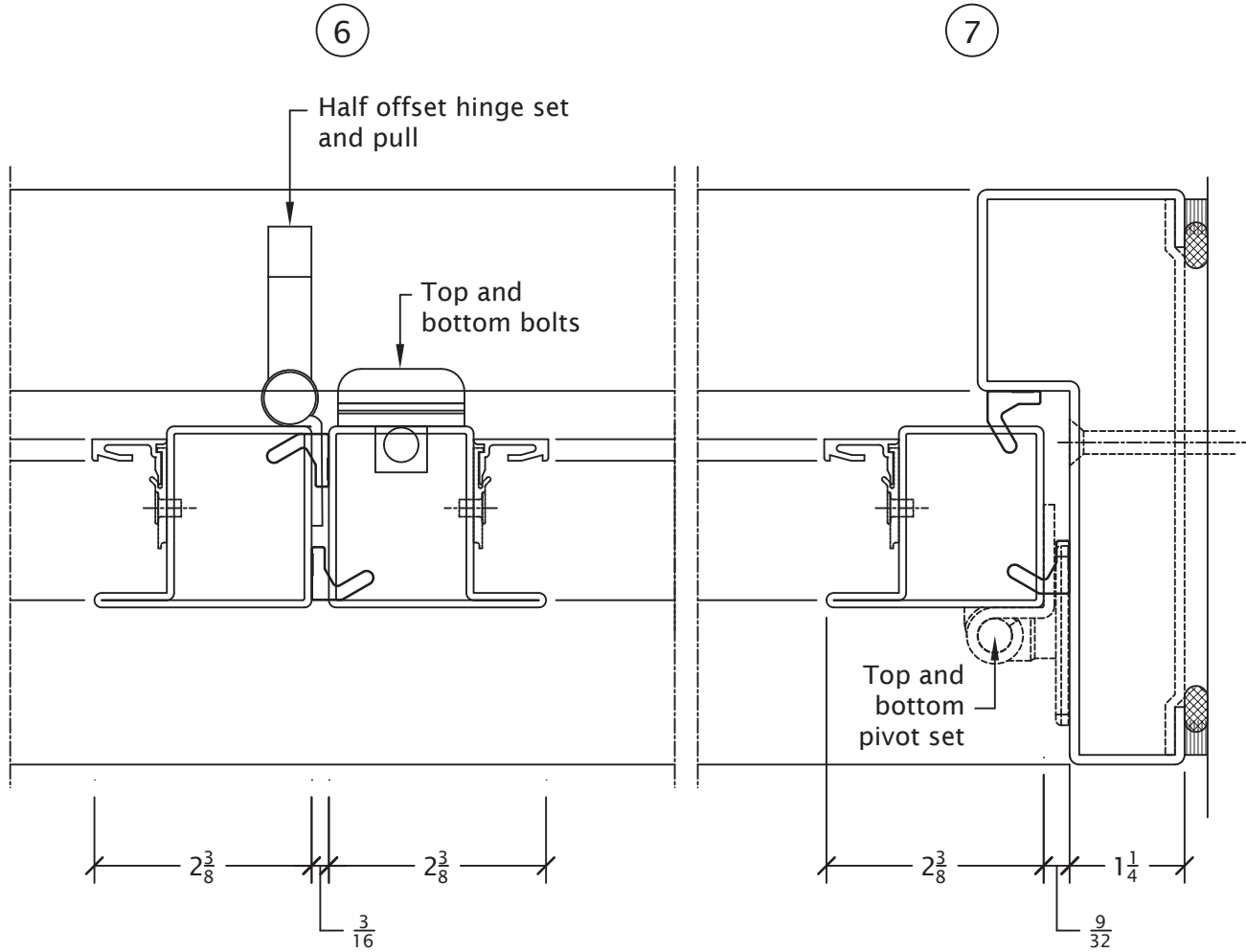
Elevations are for detail reference only. Elevations are not to scale.
All Hope's products are custom manufactured for your specific project requirements.



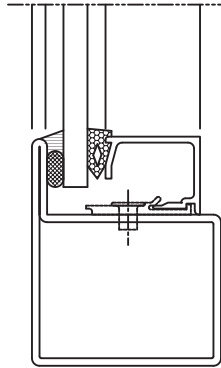
Details are half scale and shown inside glazed with 1" glass.
See page 7 for further glazing bead options.



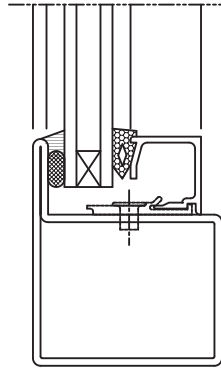
Details are half scale and shown inside glazed with 1" glass.
See page 7 for further glazing bead options.



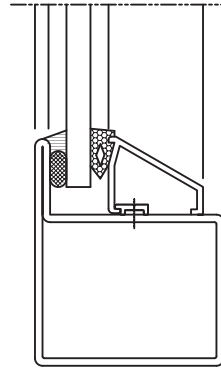
Details are half scale and shown inside glazed with 1" glass.
See page 7 for further glazing bead options.



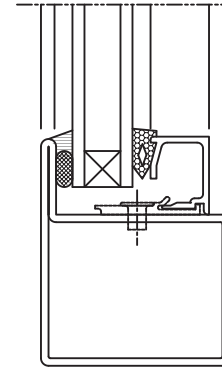
1/4" GLASS
#350 BEAD



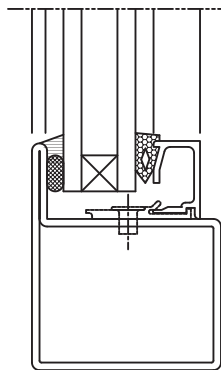
1/2" GLASS
#352 BEAD



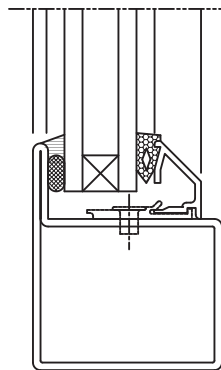
1/4" GLASS
#360 BEAD



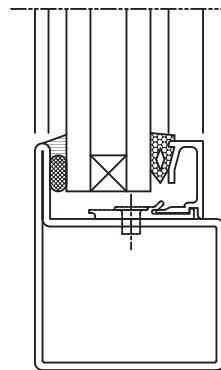
5/8" GLASS
#45 BEAD



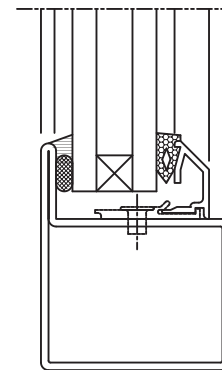
3/4" GLASS
#355 BEAD



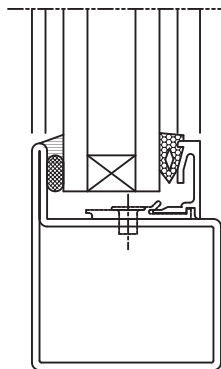
3/4" GLASS
#356 BEAD



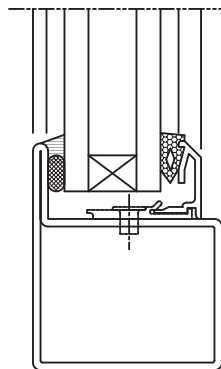
7/8" GLASS
#46 BEAD



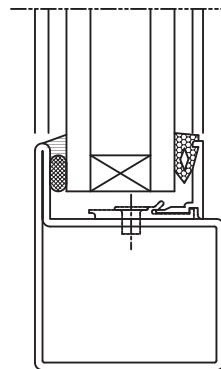
7/8" GLASS
#357 BEAD



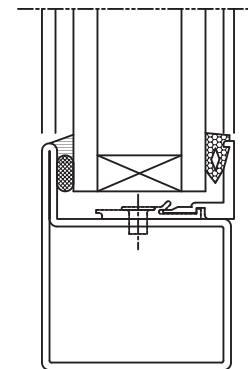
1" GLASS
#47 BEAD



1" GLASS
#247 BEAD



1-1/8" GLASS
#48 BEAD



1-3/8" GLASS
#49 BEAD

GLAZING BEAD NOTES

Hope's offers various types of glazing beads including: snap-in, hook-on and screw-on. Consult Hope's for other options.

All true divided lite muntins have corresponding glazing beads to match the perimeter profiles.

Details are half scale and shown inside glazed.

INTENTIONALLY LEFT BLANK