

CHAPEL OF THE RESURRECTION

VALPARAISO UNIVERSITY

“The Chapel of the Resurrection is grand and peaceful, beckoning students and campus visitors to come within, take a seat, and spend a little quiet time in meditation and prayer.”

The Times of Northwest Indiana



Founded in 1859, Valparaiso University in Valparaiso, IN, is a small, private institution of higher learning and home to one of the largest collegiate chapels in the world.

The Chapel of the Resurrection is the crown jewel among all other buildings at the university, rising above the highest point on the 350-acre campus. Used for both religious and secular events, the Chapel observed its 50th anniversary in 2009.

Following the celebrations, the Chapel of the Resurrection underwent an extensive preservation project that included the replacement of its 24 soaring windows surrounding the chapel's nave. The original 58-foot tall windows, covering a combined surface of 16,700 square feet, were removed and replaced with fixed and operable Hope's® solid hot-rolled steel windows.

Valparaiso University sought Hope's® on the recommendation of Architexas of Dallas, TX, the preservation consultant for the project.

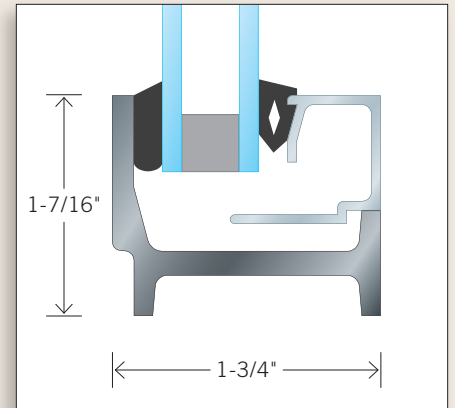
Preservation Consultant:
Architexas, Dallas, TX

General Contractor:
The Hagerman Group, Fort Wayne, IN

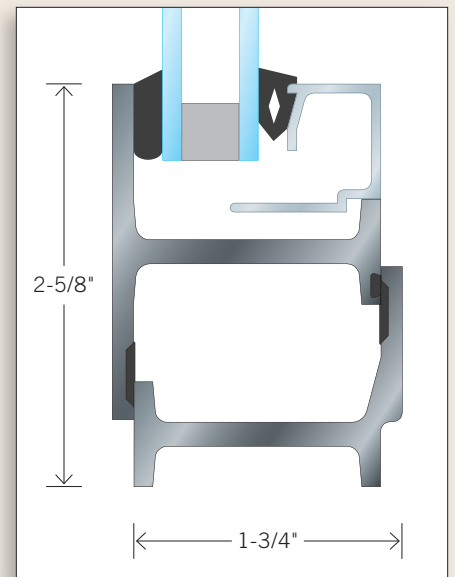
Original Construction Architect:
Charles Stade & Associates, Park Ridge, IL

Owner:
Valparaiso University, Valparaiso, IN

Windows:
Jamestown175™ Series steel windows



Jamestown175™ Series Fixed Window



Jamestown175™ Series Operable Window and Door

Hope's Jamestown175 Series design suite was selected to precisely match the sightlines of the original windows, which were also precisely color-matched to the originals.

Hope's Jamestown175 Series features hot-rolled, solid steel strong enough to allow for the narrowest frame dimensions and maximum glass area, producing the best views possible.

Hope's customizes these windows for each project's design vision. They are handcrafted, feature fully-welded construction, and are energy efficient.

It has been said that inspiration for the design of the building was provided in part by the Church of the Nativity in Bethlehem. The chancel of the Chapel of the Resurrection is 98 feet high and is circular in shape with a roof shaped like a nine-point star. The nave is 58 feet high and 193 feet long. It seats more than 2,000 people.

The Chapel is not only the centerpiece of the campus, but also a highly visible and cherished landmark in the surrounding community.

The Times of Northwest Indiana described it this way:

“The Chapel of the Resurrection is grand and peaceful, beckoning students and campus visitors to come within, take a seat and spend a little quiet time in meditation and prayer.”

HOPE'S®

Hope's Windows, Inc.
 84 Hopkins Avenue
 P.O. Box 580
 Jamestown, NY 14702-0580
 (716) 665-5124
 (716) 665-3365 fax
 HopesWindows.com

